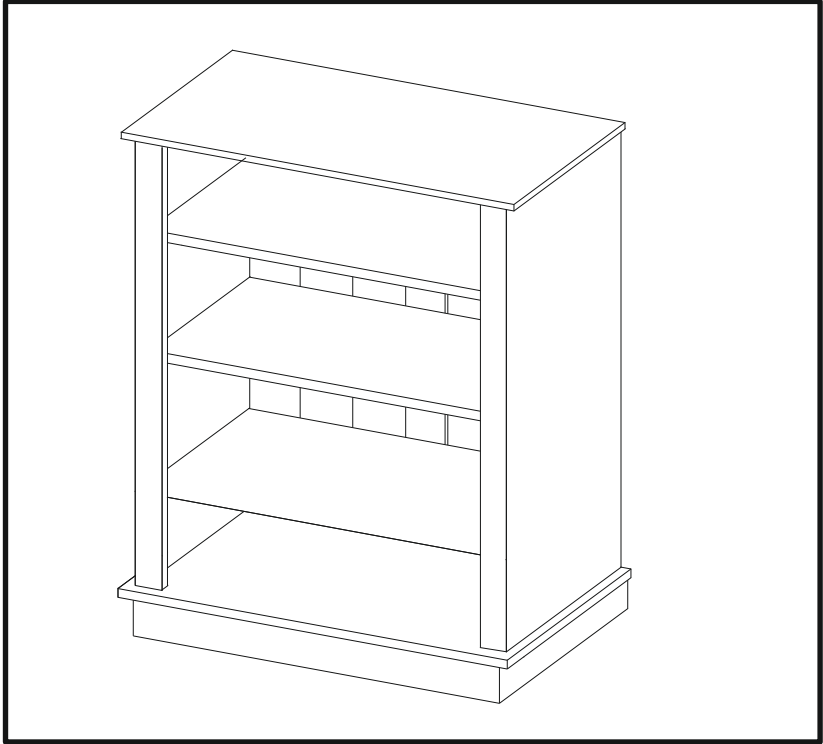


Little Folks

- FURNITURE -



Fargo standard Bookcase

Code: BKC003

PLEASE READ CAREFULLY & KEEP FOR FUTURE REFERENCE

Thank you for buying a **Little Folks** piece of furniture

Treated properly it should be a faithful servant for years - and we hope you get the same amount of pleasure from it. Before you do

- please take a few minutes to read these instructions
- we suggest you carefully unpack everything, lay it out on a clean, flat floor and identify everything on the parts list in these instructions. Do not throw away any packaging until you are sure you have all the parts.

If you have any problems assembling the product please call our customer services on 01985 300588 and we will try and help. If for any reason you wish to return the product, you must disassemble the product and pack in the original packaging.

Taking care of your product

Your furniture should require no more than a regular dust off with a soft cloth. If the furniture is not painted then a superior wood polish can be used - but never use polishes containing silicone.

If necessary it can be cleaned with a damp cloth with a mild detergent solution - and then dried with a lint-free cloth. Never clean with abrasives or chemical cleaners.

Direct sunlight or heat from a radiator can stain, discolour warp or crack furniture.

We know furniture can be heavy but try not to drag furniture across the floor as this can damage it.

PRODUCT SAFETY

Periodically check all fittings to ensure that none have come loose.

Keep away from direct sources of heat, such as electric, gas or wood fires.

Do not allow children to climb on the furniture. Larger items of furniture should be properly (and professionally) secured to the wall to prevent them toppling over.

Using this furniture other than for its intended purpose could cause damage the structure or serious injury to your child.

Do NOT place heavy or unsuitable sized items on furniture due to risk of falling and injury.

Place heavier items in the lower shelves.

The furniture should not be used if any structural part is broken or missing.

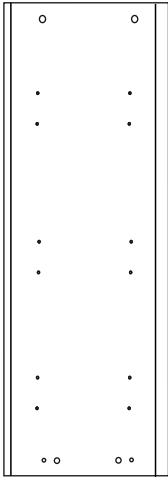
Little Folks Furniture do not supply wall fixings due to the wide ranging differences of wall construction.

Warning: This work should only be carried out by a competent person or a professional.

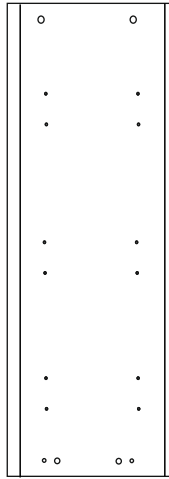
If you have any problems please do contact us for help on e mail customerservices@littlefolksfurniture.co.uk or phone our

CUSTOMER SERVICES 01985 300588

Parts list



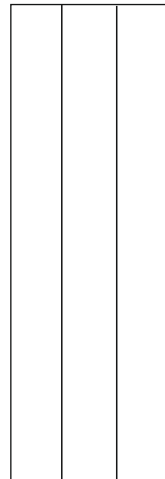
Right Side



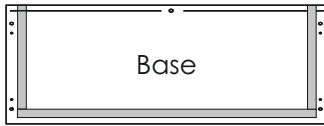
Left Side



divider



2 x Back panels



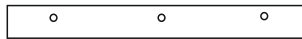
Base



Top




3 x shelves




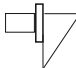
soffit

Fittings

14 x Dowels 

13 x Cams 

13 x Cam Pins 

15x shelf studs 

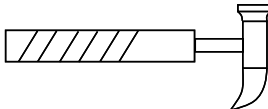
12 x Screws 

12 rear stabilizers 

1 x Wall strap device. 

Tools Req

Screwdriver 

small hammer 

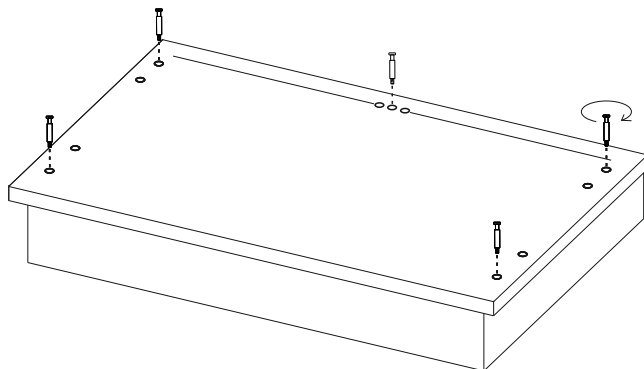
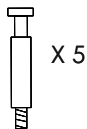
1 x Allen Key supplied 

The packaging can be used to protect the piece parts from damage when assembling the product.

Fit the base

5 x Cam Pins

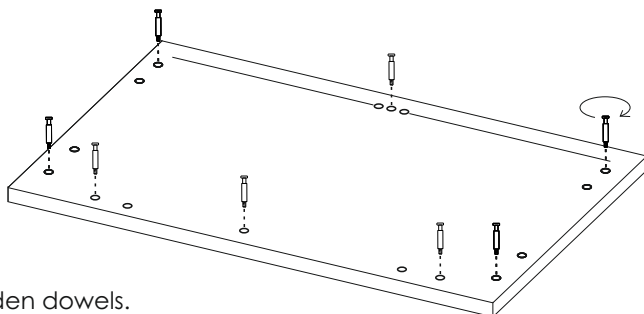
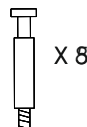
Fit 5 x Cam Pins into the smaller holes as shown.



Fit the top

8 x Cam Pins

Fit 8 x Cam Pins into the smaller holes as shown.



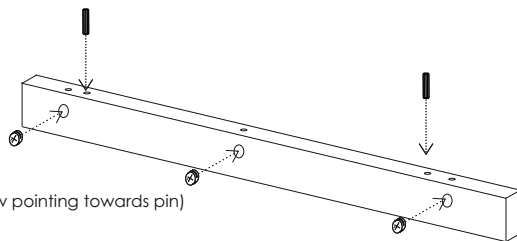
Fit the soffit

3 x Cams + 2 wooden dowels.

Fit 3 x Cam into the holes on the side of the soffit..

Insert 2 wooden dowels as shown, projecting roughly 1cm out.

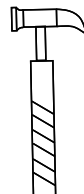
Note: keep the cams level with the surface of the part.



step 1 (directional arrow pointing towards pin)



step 2 (Rotate to tighten)



small hammer

Fit the long parts.

2 x sides (one left and one right) and 1 x divider

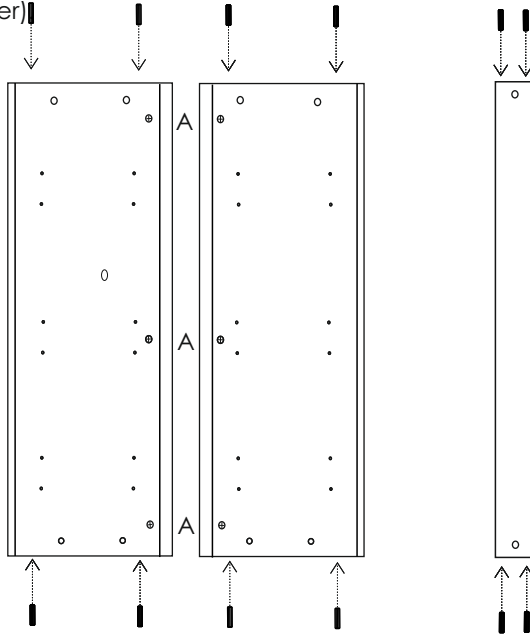
12 wooden dowels and 12 cams.

Gently tap each wooden dowel into the blind holes as shown.

Now drop in 12 cams into the larger holes on the flat surfaces of the parts, note orientation of cam.

Note: keep the cams level with the surface.

(if pushed too deep, simply lever them outwards using the intersecting hole and a small screwdriver)

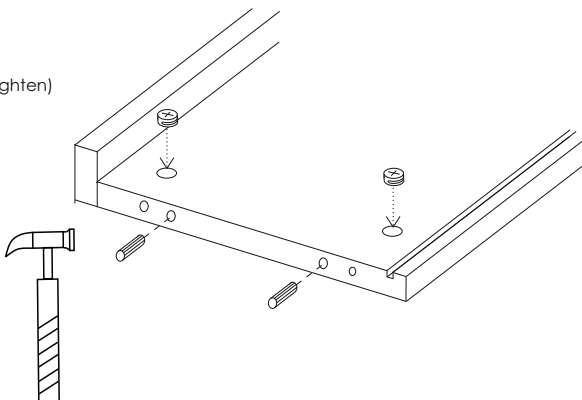


Note: Please check the cams marked "A" for tightness, turn clockwise to secure the front piece.(can loosen in transport)

step 1 (directional arrow pointing towards pin)

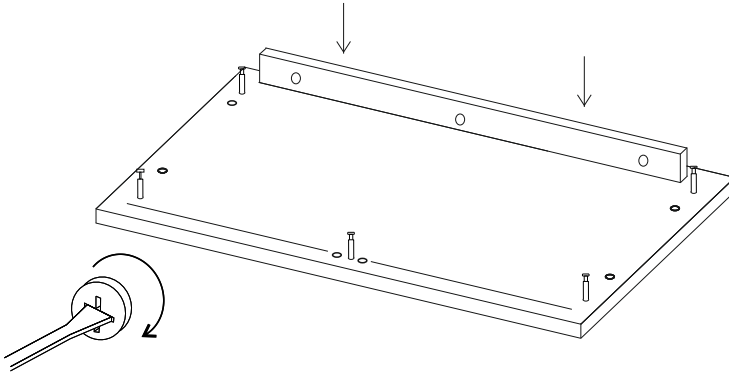


step 2 (Rotate to tighten)



Fix the soffit

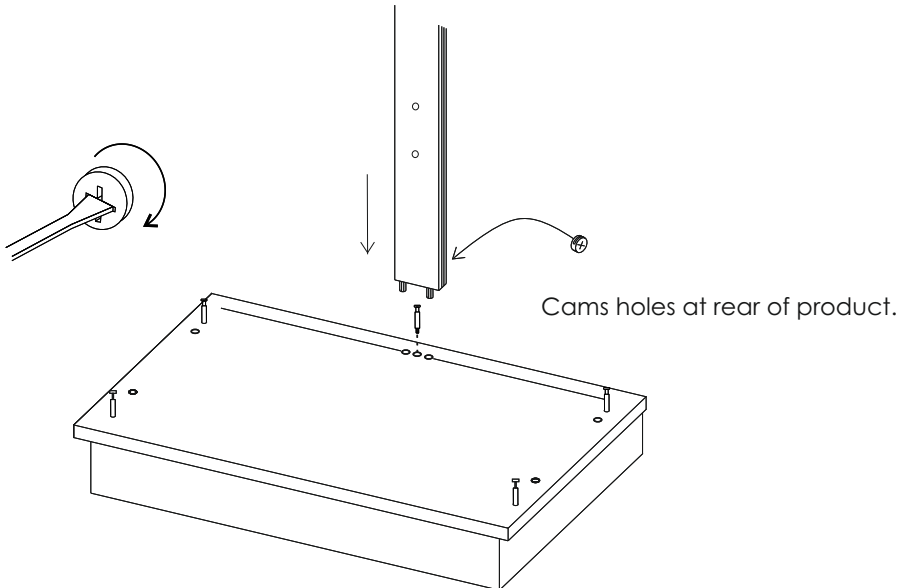
Now lower the soffit down onto the top, as shown. Line up the cam pins and wooden dowels so that all the parts are connected. Rotate the cam pins to tighten.



Fix the divider

Two people.

Align the divider with the central hole arrangement on the base making sure that the holes for the two cam pins within the divider are on the outside of the product. Once connected, twist the cam to tighten.

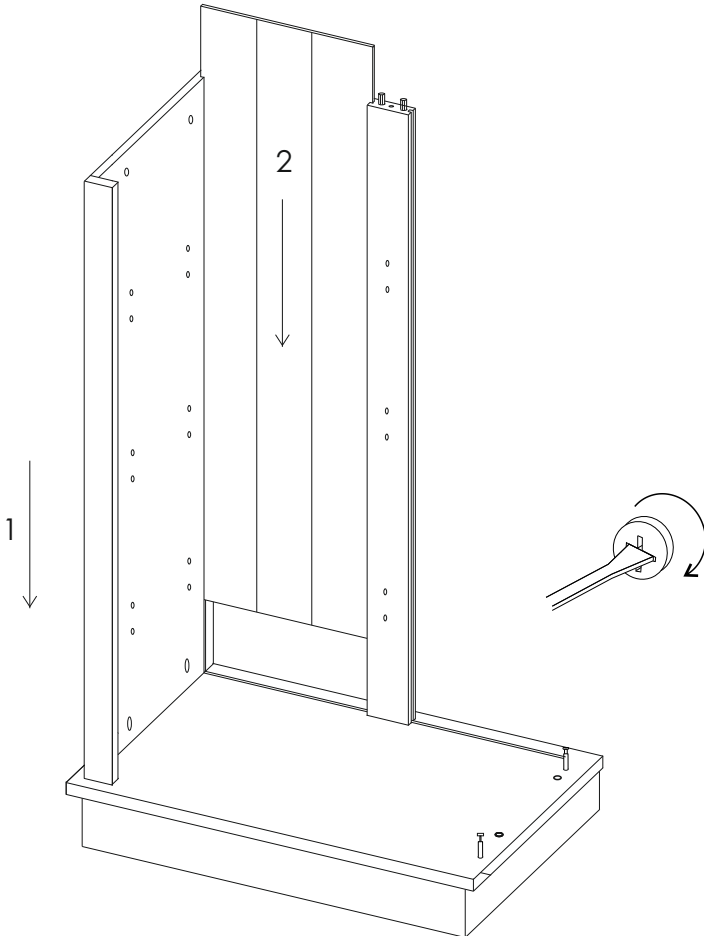


Fit the sides and back panels.

Two people.

Align and drop one side panel onto the base fittings, once connected, rotate the two cam pins to tighten down. Now slide one back panel into the slots on the side, divider and base, push to connect. Repeat the process on the other side and remaining back panel.

Note that grooves on the back panel face inwards as shown.



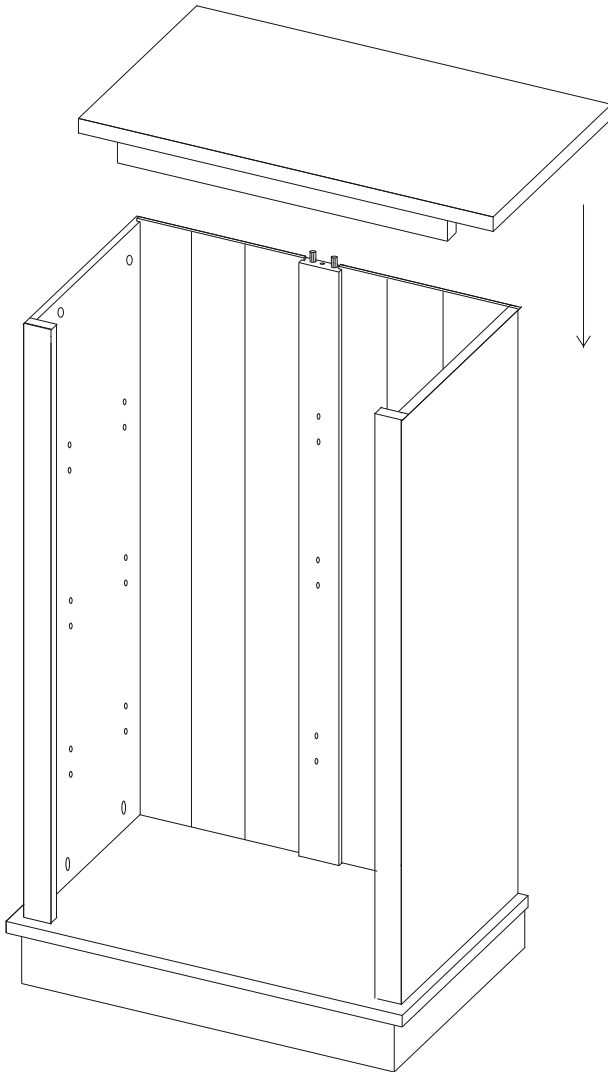
Note: keep the cams level with the surface.

(if pushed too deep simply lever them outwards using the intersecting hole and a small screwdriver).

Fit the top

Two people.

Align and drop the top onto the sides, rear divider and two back panels. This can be a little fiddly aligning the fittings and parts into their corresponding slots (two people and a slow approach will make it easier).. Once all the parts are firmly together, rotate the cams to tighten.



Note: keep the cams level with the surface.

(if pushed too deep simply lever them outwards using the intersecting hole and a small screwdriver).

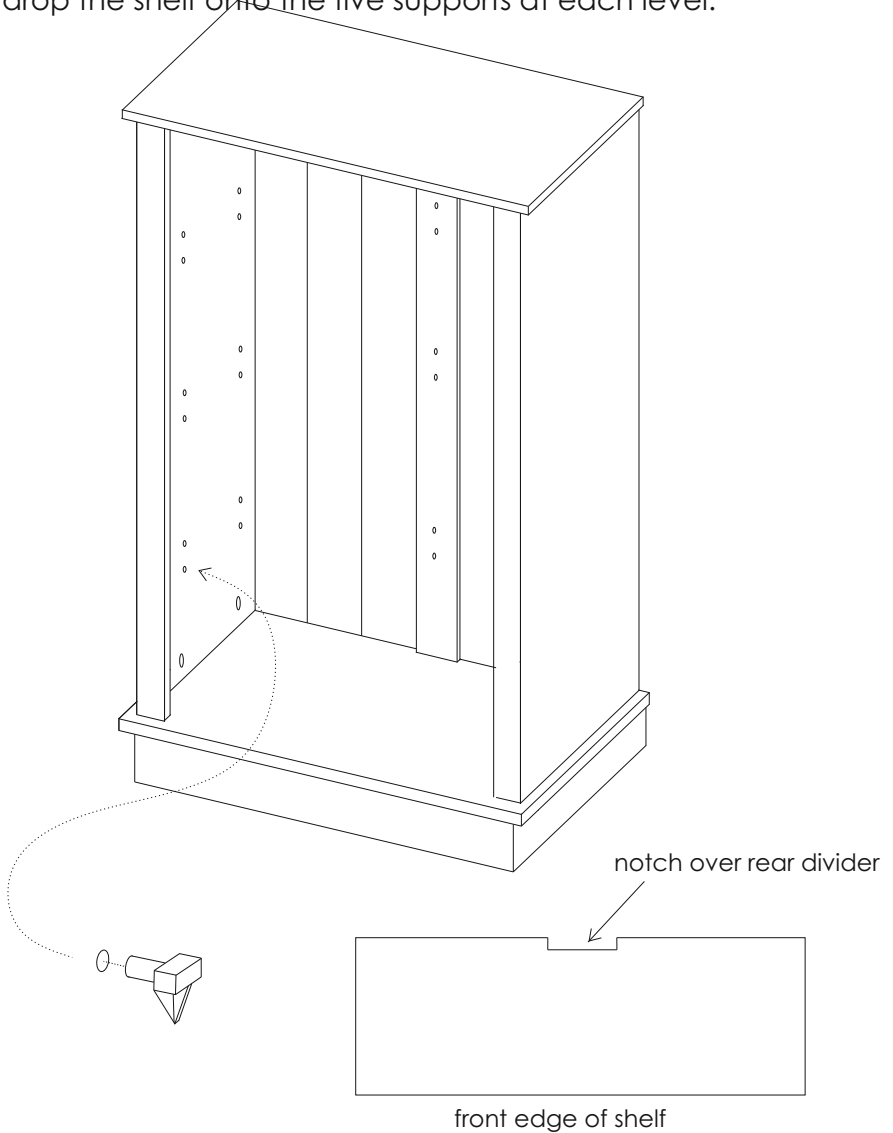
Fit the shelves

15 shelf pins.

There are six different shelf heights to choose, two options at three levels.

Simply select the heights you desire and push the shelf support pin into the holes (flat edge upwards), each side and also into the rear divider piece.

Now drop the shelf onto the five supports at each level.



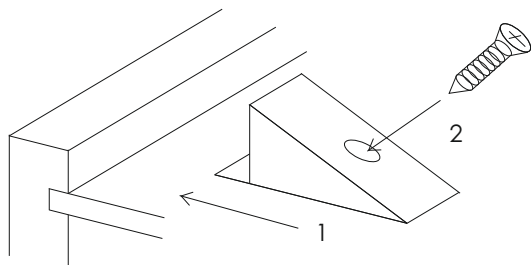
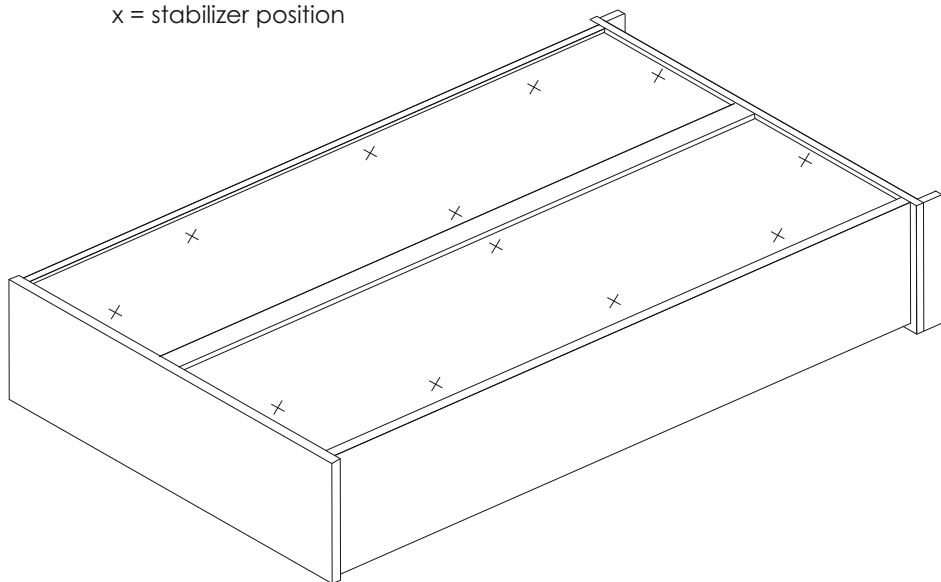
Fit the rear stabilizers two people

12 rear stabilizers and 12 small screws.

Lay the bookcase on the floor, front facing downwards. Now gently insert the stabilizers with the thin projection sliding between the back panel and the groove edge. Once in place secure with the screw.

Once all the stabilizers are fitted, lift the bookcase upright and check product stability, it should feel solid, no sideways wobble.

x = stabilizer position

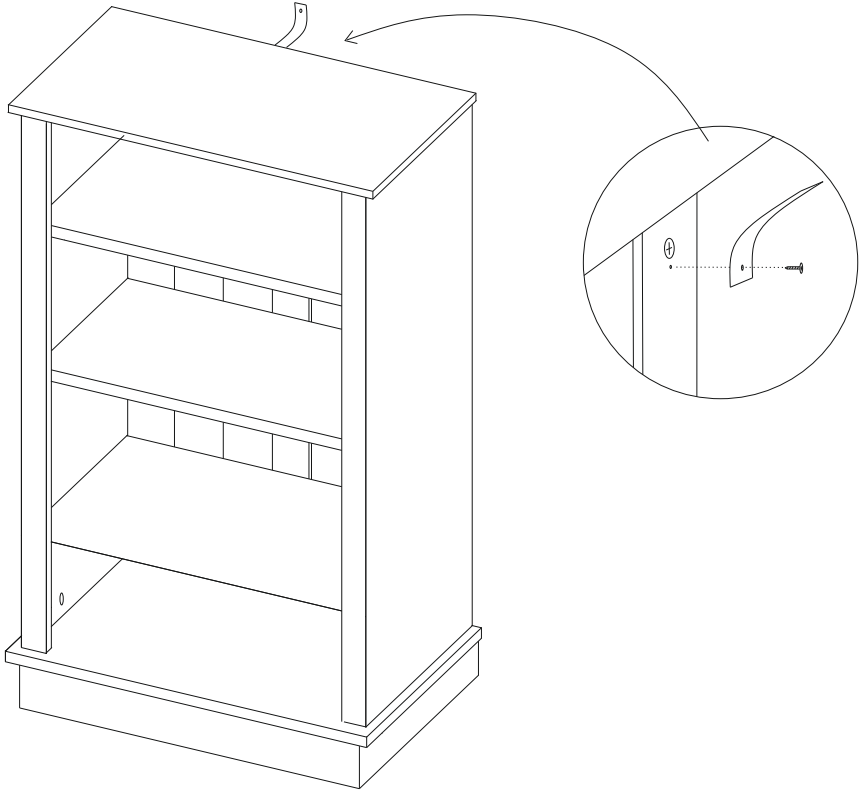


Locate the bookcase and fit the anti-topple device.

1 x anti topple device and two people.

Screw the strap to the rear of the bookcase, use hole provided (see image below)

Decide where you would like to place the bookcase, now gently lift the bookcase into place making sure that the bookcase is on a stable surface. Now screw the loose end of the device to the wall.



Warning: This work should only be carried out by a competent person or a professional.

Using furniture other than for its intended use could cause damage to the structure or serious injury to your child.

This product **MUST** be secured using an “Anti-Topple device.

Periodically tighten fittings to ensure that none have come loose.

Do **NOT** place heavy or unsuitable sized items on the furniture due to risk of falling and injury.

Place heavier items in the lower shelves.

Remove all items from the upper surface when re-positioning as to eliminate the possibility of falling hazards.